

# halfords

ADVANCED

## USER INSTRUCTIONS

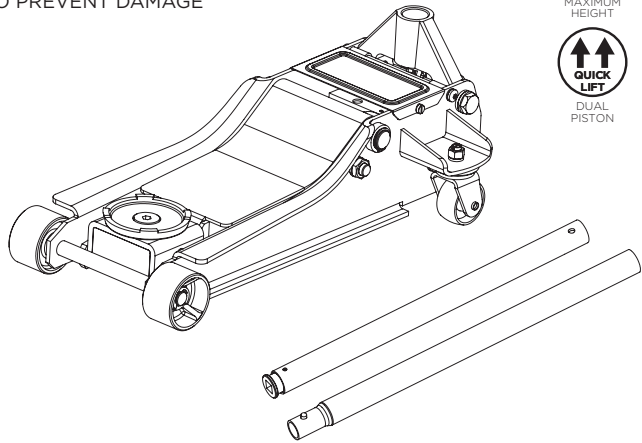
# 3 TONNE LOW PROFILE HYDRAULIC TROLLEY JACK

DUAL PISTON QUICK LIFT, WITH FOOT  
PEDAL AND EASY GRIP HANDLE

POLYURETHANE COATED, NON MARKING,  
QUIET ROLL WHEELS

RUBBER JACK PAD TO PREVENT DAMAGE  
TO THE VEHICLE

3 YEAR  
GUARANTEE



3  
TONNE

LIFTING  
CAPACITY

LOW PROFILE  
FOR IMPROVED  
ACCESS

7.5cm

MINIMUM  
HEIGHT

50.5cm

MAXIMUM  
HEIGHT

QUICK  
LIFT

DUAL  
PISTON

SAFE WORKING LOAD (SWL) UP TO 3  
TONNE (3,000KG)

## INTRODUCTION

For your safety please read this manual before using any lifting equipment ensuring you fully understand its operation and the safety procedures to be observed. Ensure this manual is retained for future reference and that new users of this product read and understand the content before they use the product.

ITEM CODE: 563118

MODEL: TH33013

# SAFETY PRECAUTIONS



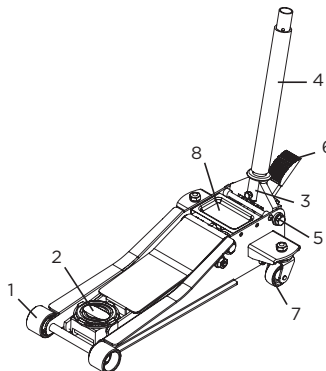
## WARNING

Failure to comply with these instructions can cause serious injury and damage to the vehicle. If you are in any way unsure, do not attempt to use this product and consult a qualified mechanic.

1. Read and understand instruction manuals fully before use. Use only as specified.
2. Never overload this jack by exceeding its rated safe working load.
3. Check vehicle owner's manual for gross vehicle weight.
4. This jack is for lifting purposes only.
5. Before lifting vehicle, make sure that the wheels of the car that will remain on the ground are correctly chocked.
6. Ensure all body parts are kept clear of the jack and vehicle during the raising and lowering operation.
7. After lifting the vehicle, support immediately with properly rated axle stands.
8. Never work on or under a vehicle without using properly rated axle stands.
9. Only use on solid, even and level ground with the wheels chocked, the vehicle in gear and its handbrake on.
10. Ensure that the wheels of the jack are rolling freely, all 4 wheels of the jack remain on the ground during operation.
11. Always ensure that the load is centred on the jack saddle. Off centre loads can become unstable and slip resulting in possible damage or injury.
12. Only use jacking points specified by your vehicle manufacturer. Some vehicles may require a manufacturer specific adaptor. Check vehicle handbook for location and details.
13. Ensure vehicle jacking points are in good, sound condition with no corrosion etc.
14. Do not attempt to move or dolly the vehicle whilst on the jack.
15. This jack is not designed to support extensions, cradles etc.
16. Do not attempt to modify this jack in any way.
17. Do not attempt to use this jack if you suspect a fault.
18. Do not start the vehicle in its raised position.
19. Do not attempt to enter the vehicle and ensure all passengers are out of the car when using this product.

## PARTS OF THE JACK

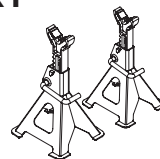
1. Front castor
2. Saddle
3. Handle fork
4. Handle
5. Release valve
6. Quick lift foot pedal
7. Rear castor assembly
8. Top cover plate



# FOR YOUR SAFETY AND TO PREVENT INJURY

Use service jack for lifting purposes ONLY.

Always support vehicle with axle stands (must be used in pairs).



## BEFORE FIRST USE

Air may become trapped in the hydraulic system during transit. To purge air:

1. Open the release valve by rotating the handle counter clockwise one full turn.
2. Place the handle in the handle socket and pump about 4 full strokes to purge the air from the pump and valving.
3. Close the release valve. Pump the handle until the jack has reached full extension. Continue to pump several times to purge air from under the ram.
4. Open the release valve and push ram into its lowest position. Close the release valve and operate normally.

Note: If the jack responds immediately to pump action, it is free of air and ready for operation. If not, repeat procedure.

## INSPECTION BEFORE EACH USE

Visual inspection should be made before each use of the jack. Check for leaking hydraulic fluid, cracked welds and damaged, loose or missing parts.

Any jack which appears to be damaged in any way, found to be badly worn, operates abnormally, or has been subjected to an abnormal load or shock **MUST NOT BE USED**.

## OPERATING INSTRUCTIONS

**IMPORTANT:** Only use jacking points specified by your vehicle manufacturer. Some vehicles may require a manufacturer specific adaptor. Check vehicle handbook for location and details.

### TO MOVE

Place handle in operating lever. Do not move the jack when handle is on the release valve as this may cause damage to the jack. Do not attempt to move the jack whilst under load.

### TO LIFT THE VEHICLE

1. Park the vehicle on solid, even and level ground. Apply the handbrake, place the vehicle in gear (P if automatic) and chock the wheels that will remain on the ground.
2. Turn the pole section of the handle clockwise until the release valve is fully closed. **DO NOT OVERTIGHTEN.**
3. This jack incorporates a foot operated quick lift feature which can be used in place of the handle to quickly raise the saddle to the vehicle's jacking point. Before lifting, **ALWAYS** ensure that the load point is centred on the jack saddle and cannot slip. Off centre loads can become unstable and slip resulting in damage or injury.
4. Once the saddle is secure on the jacking point, switch to the long handle and begin to raise load to desired height by pumping the handle. (Do not attempt to use the foot pedal to lift the vehicle). **IMMEDIATELY** support the vehicle by placing properly rated axle stands under a strong, stable point on the vehicle. Consult the vehicle owner's manual and axle stand instruction manual for guidance.  
**DO NOT CRAWL UNDER VEHICLE WHILE LIFTING VEHICLE, PLACING OR REMOVING AXLE STANDS!**

- Once the axle stands are properly located, VERY SLOWLY turn the pole section of the handle anti-clockwise until the vehicle begins to lower onto the stands. Lower the vehicle slowly so as not to shock load the jack stands.
- BEFORE GOING UNDER THE VEHICLE ensure that all axle stands and chocks are correctly in place and there is no chance of the vehicle becoming unstable.

## TO LOWER THE VEHICLE

Once repairs are completed raise the vehicle slightly, remove the axle stands and VERY SLOWLY turn the pole section of the handle anti-clockwise until the vehicle begins to lower.

**CAUTION:** Ensure all body parts are kept clear of the jack and vehicle during the raising and lowering operation.

## MAINTENANCE, CARE AND LUBRICATION

- This jack contains no user serviceable parts. Any modification will render the jack unsafe.
- All moving joints require lubricating often. Lubricate all linkages, pivot points and castor wheels using a grease gun.
- Regularly check the plunger, main piston and linkages for signs of corrosion. Clean any light surface corrosion with a suitable maintenance spray. If the corrosion is deeper than surface do not attempt to use.
- When not in use keep the jack stored on all 4 wheels with the arm and plunger all the way down to prevent corrosion.

## TO ADD OIL

**IMPORTANT:** When adding or replacing oil, ONLY use a quality hydraulic oil adhering to ISO VG 32 or similar. DO NOT use brake fluid, transmission fluid, alcohol, glycerine, detergent motor oil, or dirty oil etc. as improper fluid will cause serious internal damage to jack making it unsafe to use.

- Place the jack on level ground with the lifting arm and plunger fully lowered.
- Remove the top cover plate and clean the surrounding area of the oil filler plug and remove ensuring that no dirt etc. falls into the unit (see Fig.1).
- Oil should be filled to level indicated in the diagram. If low, add hydraulic oil as required.

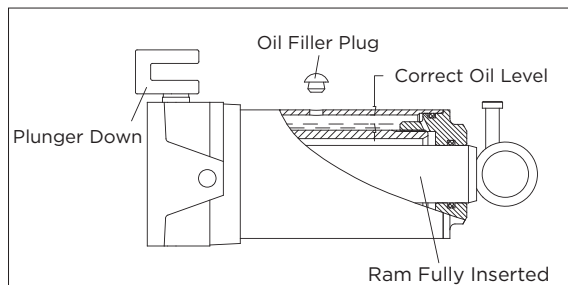
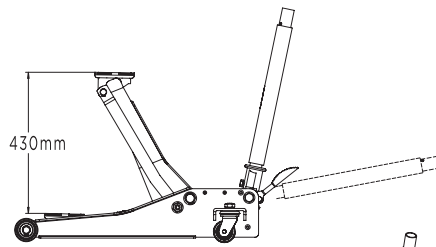
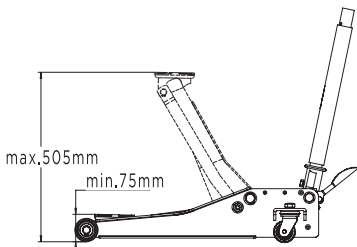


Fig. 1

Maintenance and inspection: The owner and/ or user must maintain and inspect the jack in accordance with the manufacturer's instructions.

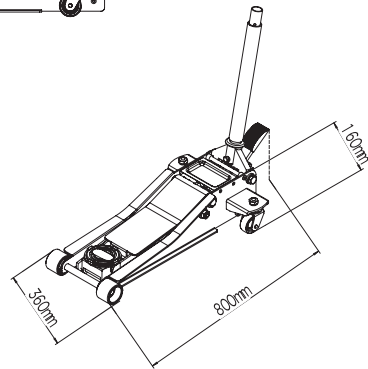
PROBLEMS					TROUBLESHOOTING CHECKLIST
Jack will not lift load	Jack will not hold load or handle rises	Jack will not lift to its full height	Jack will not lower completely	Jack will not lift smoothly or jack feels spoggy	
●					The release valve is not closed. Turn the valve clockwise tightly.
●		●			Low on oil. Refill the jack to the correct level of oil.
		●		●	The hydraulic system is filled with air. Open the release valve, pump handle rapidly (4) full strokes to purge air, close release valve.
			●		Return spring is broken or linkages binding. Replace spring if broken. Grease pivot shaft, oil all lift arm linkages.
	●				Discharge ball is not sealing hydraulic system and oil may be dirty. Manually flush hydraulic system by raising and lowering lift arm by hand. Open the release valve, as required to raise and lower the lift arm. Manually raise and lower lift arm.

## SPECIFICATIONS



Low height	7.5cm
High height	50.5cm
Saddle diameter	11cm
Handle length	112.5cm
Base length	80cm
Chassis width	36cm

All dimensions are approximate.



# EC DECLARATION OF CONFORMITY



**The equipment which accompanies this declaration is in conformity with the following EU Directives:**

Machinery Directive 2006/42/EC as amended by Directive 2009/127/EC

**Manufacturer:**

Halfords Ltd c/o DWF, 5 George’s Dock, International Financial Services Centre, Dublin, D01 X8N7, Ireland

Manufacturer takes full responsibility for the product’s compliance.

A copy of the technical file for this equipment is available from the address above.

**Description of Equipment:**

Product: Halfords Advanced 3 Tonne Low Profile Jack

Model: TH33013

Item Code: 563118

Reference batch number: ..... (to be entered by the customer)

**The following harmonized standards have been used:**

EN1494:2000 + A1:2008 Mobile or movable jacks and associated lifting equipment

The Supply of Machinery (Safety) Regulations 2008 Statutory instrument 2008 No.1597

The Supply of Machinery (Safety) (Amendment) Regulations 2011 Statutory instrument 2011 No.2157

**Other key standards used:**

N/A

**Authorised signatures of Manufacturer**

	Manufacturer
Signature:	
Name of signatory:	Chris Hall
Position in company:	Head of Quality
Place and Date:	Dublin Ireland. June 2021
Notified Body	N/A



# UK DECLARATION OF CONFORMITY



**The equipment which accompanies this declaration is in conformity with the following UK legislation:**

Supply of Machinery (Safety) Regulations 2008

**Manufacturer:**

Halfords Limited, Icknield Street Drive, Redditch, Worcestershire, B98 0DE  
 Manufacturer takes full responsibility for the product’s compliance.

**Description of Equipment:**

Product: Halfords Advanced 3 Tonne Low Profile Jack  
 Model: TH33013  
 Item Code: 563118  
 Reference batch number: ..... (to be entered by the customer)

**The following harmonized standards have been used:**

BS EN1494:2000 + A1:2008 Mobile or movable jacks and associated lifting equipment  
 The Supply of Machinery (Safety) Regulations 2008 Statutory instrument 2008 No.1597  
 The Supply of Machinery (Safety) (Amendment) Regulations 2011 Statutory instrument 2011 No.2157

**Other key standards used:**

N/A

**Authorised signatures of manufacturer and UK representative**

	Manufacturer
Signature:	
Name of signatory:	Chris Hall
Position in company:	Head of Quality
Place and Date:	Redditch UK, June. 2021
Notified Body	N/A



## GUARANTEE

This product has been designed to perform. It is manufactured and tested to the very highest standards and covered by our three-year Quality Guarantee. In the unlikely event that it develops a fault within this period, we will replace it. For more details and full conditions, see [halfords.com/guarantees](http://halfords.com/guarantees) or ask in-store.

All dimensions are approximate.

Images for illustration purposes only.

Halfords Ltd.  
Icknield Street Drive,  
Washford, Redditch B98 0DE  
Visit us at [www.halfords.com](http://www.halfords.com)  
Produced for Halfords  
Item Code: 563118



[www.tuv.com](http://www.tuv.com)  
ID 1419056090



ROI:  
Halfords c/o DWF,  
Dublin 1

